

# Installation Instructions - Plexineon Vertical Catenary Static Color

Models: Plexineon Vertical Rings Catenary Mount Static Color

**Please read all instructions prior to installation and keep for future reference!**

1. PRODUCT TO BE INSTALLED BY A QUALIFIED ELECTRICIAN.
2. USE ONLY WITH CLASS 2 POWER UNIT
3. 24 VOLTS DC
4. SUITABLE FOR WET LOCATIONS
5. CATENARY MOUNT ONLY



REVO.1  
10252022

1 / 5

**ilight**  
by luminii  
7777 Merrimac Ave  
Niles, IL 60714  
T 224.333.6033  
F 224.757.7557  
info@luminii.com  
www.luminii.com



# Installation Instructions - Plexineon Vertical Catenary Static Color

Models: Plexineon Vertical Rings Catenary Mount Static Color



**ilight**  
by luminii  
7777 Merrimac Ave  
Niles, IL 60714  
T 224.333.6033  
F 224.757.7557  
info@luminii.com  
www.luminii.com

Please read all instructions prior to installation and keep for future reference!

1. PRODUCT TO BE INSTALLED BY A QUALIFIED ELECTRICIAN.
2. USE ONLY WITH CLASS 2 POWER UNIT
3. 24 VOLTS DC
4. SUITABLE FOR WET LOCATIONS
5. CATENARY MOUNT ONLY

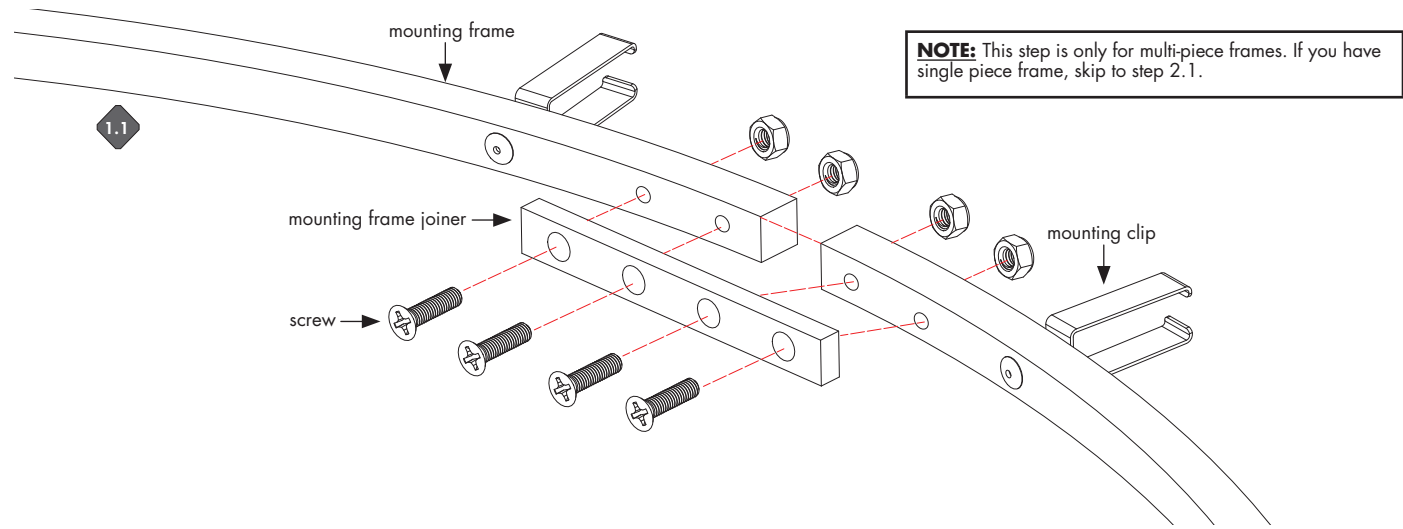
REVO.1  
10252022

2 / 5

1

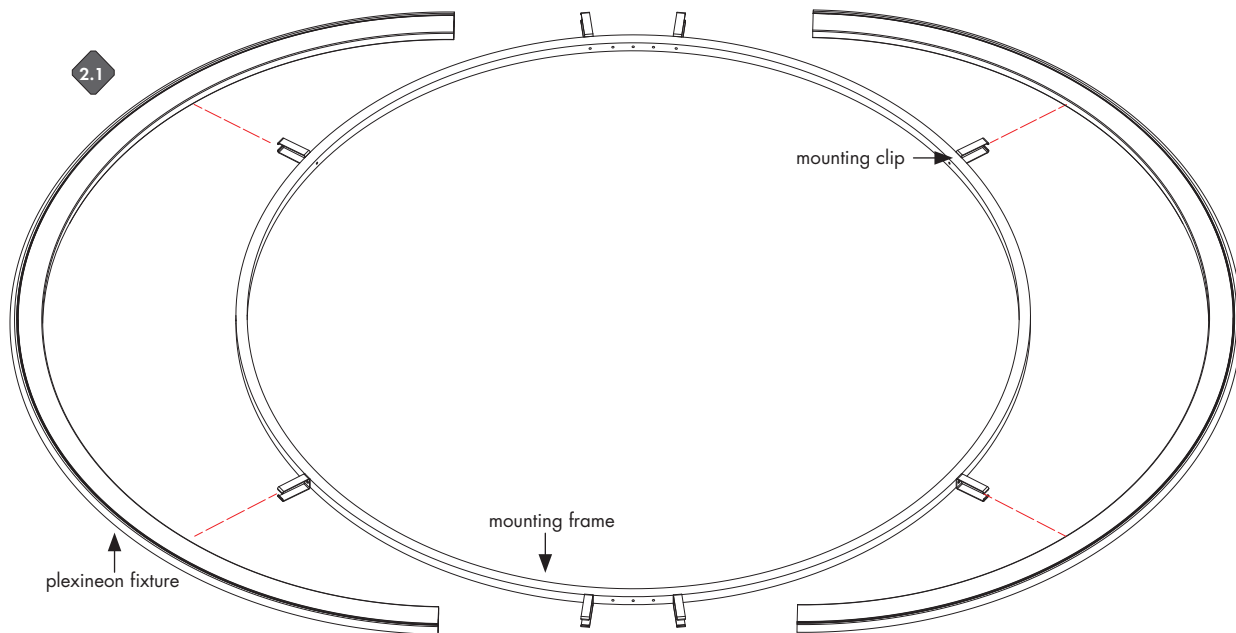
**NOTE:** Prior to installation all 24VDC wires must be present within 72" of the installation. Refer to the power supply installation instruction for additional information.

**NOTE:** More than one person is recommended for this installation.



1.1 For multi-piece frames, connect the frame members together with mounting frame joinder. Use locknuts to secure connection.

2



2.1 Install plexineon fixture to mounting clips on mounting frame(s).

# Installation Instructions - Plexineon Vertical Catenary Static Color

Models: Plexineon Vertical Rings Catenary Mount Static Color

Please read all instructions prior to installation and keep for future reference!

1. PRODUCT TO BE INSTALLED BY A QUALIFIED ELECTRICIAN.
2. USE ONLY WITH CLASS 2 POWER UNIT
3. 24 VOLTS DC
4. SUITABLE FOR WET LOCATIONS
5. CATENARY MOUNT ONLY



REVO.1  
10252022

3 / 5

**ilight**  
by luminii  
7777 Merrimac Ave  
Niles, IL 60714  
T 224.333.6033  
F 224.757.7557  
info@luminii.com  
www.luminii.com

### Install Fixtures into Mounting Clips

**A.1** Make an U shape with mounting clip installation tool, insert two edges into mounting clip. Place plexineon fixture inside the shape. Then push the fixture into clip.

**A.2** Remove the tool. Make sure mounting clip is clipped right on the grip.

3

**NOTE:** The collar also functions as a mounting frame joiner.

**3.1**

u-bolt  
saddle  
collar  
screw

**3.2**

collar  
plexineon fixture  
mounting frame  
screw  
mounting clip  
locknut

**3.1** Remove screw, u-bolt, saddle, and locknut from collar.

**3.2** Connect collar with mounting frame by screws. Use locknut to secure collar.

# Installation Instructions - Plexineon Vertical Catenary Static Color

Models: Plexineon Vertical Rings Catenary Mount Static Color

Please read all instructions prior to installation and keep for future reference!

1. PRODUCT TO BE INSTALLED BY A QUALIFIED ELECTRICIAN.
2. USE ONLY WITH CLASS 2 POWER UNIT
3. 24 VOLTS DC
4. SUITABLE FOR WET LOCATIONS
5. CATENARY MOUNT ONLY



REVO.1  
10252022

4 / 5

**ilight**  
by luminii  
7777 Merrimac Ave  
Niles, IL 60714  
T 224.333.6033  
F 224.757.7557  
info@luminii.com  
www.luminii.com

**4**

catenary cable

u-bolt

saddle

collar

locknut

**NOTE:** Catenary cables are provided by others. Max  $\varnothing 1/4"$ .

**4.1** Place the catenary cable between the saddle and u-bolt. Use locknuts to clamp the catenary cable between the saddle and u-bolt.

**5**

catenary cable

collar

locknut

0°

30°

45°

**5.1** Loosen the top locknut on back of the collar to adjust the angle of plexineon fixture.

# Installation Instructions - Plexineon Vertical Catenary Static Color

Models: Plexineon Vertical Rings Catenary Mount Static Color

Please read all instructions prior to installation and keep for future reference!

1. PRODUCT TO BE INSTALLED BY A QUALIFIED ELECTRICIAN.
2. USE ONLY WITH CLASS 2 POWER UNIT
3. 24 VOLTS DC
4. SUITABLE FOR WET LOCATIONS
5. CATENARY MOUNT ONLY



REVO.1  
10252022

5 / 5

**ilight**  
by luminii  
7777 Merrimac Ave  
Niles, IL 60714  
T 224.333.6033  
F 224.757.7557  
info@luminii.com  
www.luminii.com

